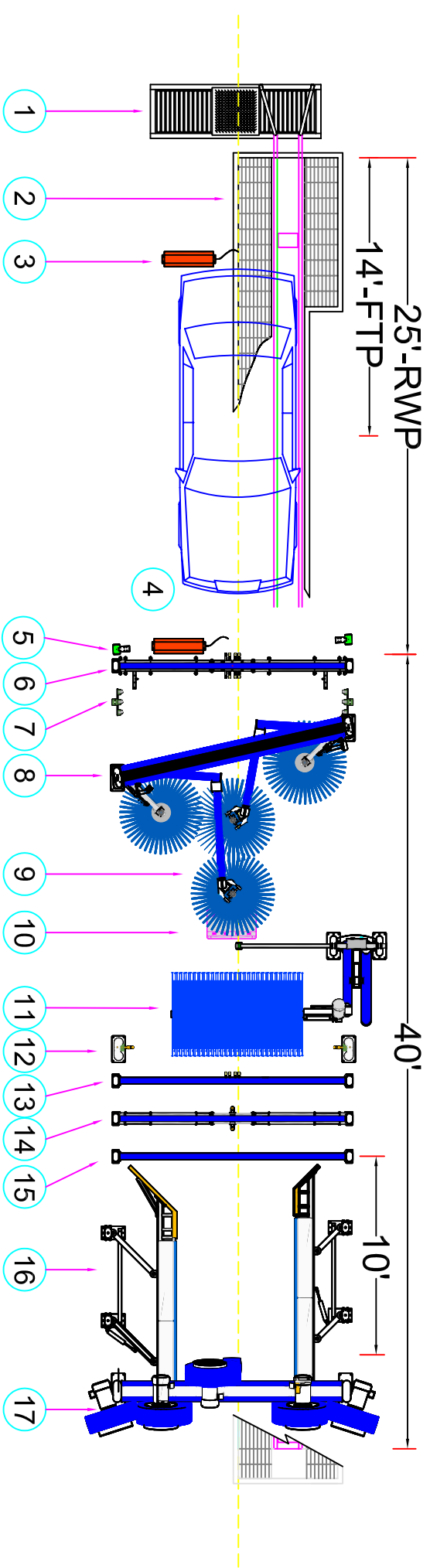


WASH STREET.

40'



- 1 ROLLER CORRELATOR
- 2 CONVEYOR
- 3 AUTO DOLLIE TAPE SWITCH
- 4 WHEEL TIRE APPLICATOR
- 5 ENTRANCE PHOTO EYES
- 6 DUAL PRE-SOAK ARCH
- 7 TRIPLE FOAM APPLICATION
- 8 LOW RIDER SIDE WASHERS
- 9 CROSSOVER WRAP AROUND
- 10 UNDERCARRIAGE FLUSH
- 11 ACCELERATOR TOP WHEEL
- 12 HIGH PRESSURE AXIS SIDE BLASTERS
- 13 XTRA SERVICE ARCH
- 14 DRYING AGENT/SEALER WAX ARCH
- 15 SPOT FREE RAIN ARCH
- 16 SUPER SHINER TIRE DRESSING
- 17 AIR ONE 50HP DRYING SYSTEM
- 18 MCWW EQUIPMENT
- 19 MCWW EQUIPMENT
- 20 MCWW EQUIPMENT



VEHICLE WASHING
EQUIPMENT

48285 Frank
Wixom, MI 48393
www.motorcitywashworks.com

REV.	DATE	ENGR.	DESCRIPTION
Revisions			

DRAWN: PAK	DATE: 03/17/10
SCALE: NTS	PAPER: 17" X 11"

HARD COPY IS INTENDED TO BE ANSIB WHEN PRINTED SCALES ARE NOT ACURATE FOR ANY OTHER SIZE

CAR WASH
COVER PAGE

SHEET-DWG:
XX