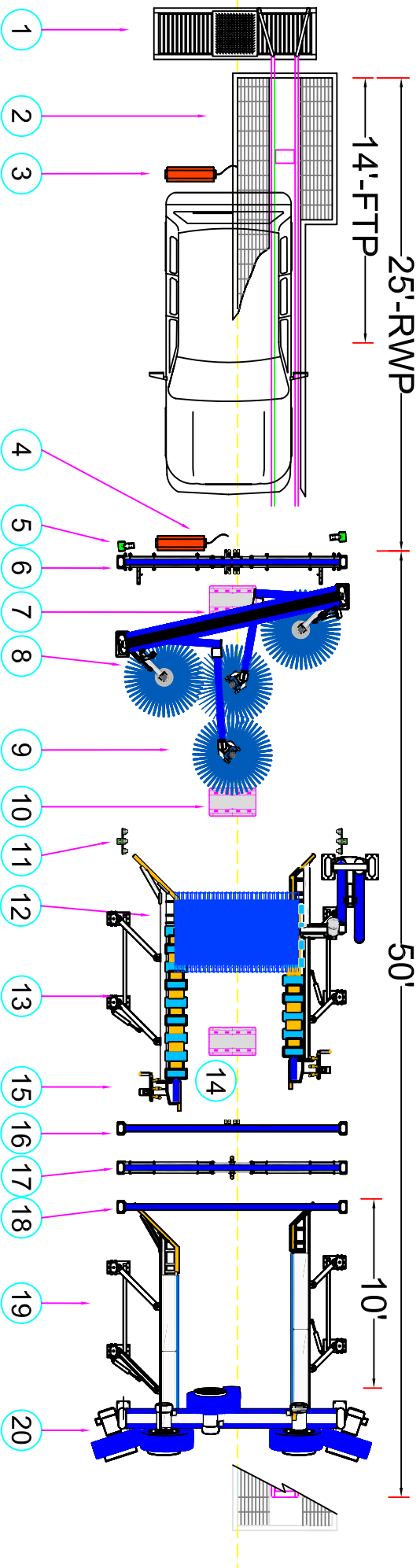


WASH STREET.

50'



- | | | | | | | | | | |
|---|-------------------------|----|------------------------|----|------------------------------|----|--------------------------------|----|----------------|
| 1 | ROLLER CORRELATOR | 6 | DUAL PRE-SOAK ARCH | 11 | TRIPLE FOAM APPLICATION | 16 | XTRA SERVICE ARCH | 21 | MCWW EQUIPMENT |
| 2 | CONVEYOR | 7 | UNDERCARRIAGE PRE-SOAK | 12 | ACCELERATOR TOP WHEEL | 17 | DRYING AGENT / SEALER WAX ARCH | 22 | MCWW EQUIPMENT |
| 3 | AUTO DOLLIE TAPE SWITCH | 8 | LOW RIDER SIDE WASHERS | 13 | BULLDOG WHEEL BRUSH | 18 | SPOT FREE RAIN ARCH | 23 | MCWW EQUIPMENT |
| 4 | WHEEL TIRE APPLICATOR | 9 | CROSSOVER WRAP AROUND | 14 | UNDERCARRIAGE RUST INHIBITOR | 19 | SUPER SHINER TIRE DRESSING | 24 | MCWW EQUIPMENT |
| 5 | ENTRANCE PHOTO EYES | 10 | HP UNDERCARRIAGE RINSE | 15 | HP WHEEL BLASTERS | 20 | AIR ONE 50HP DRYING SYSTEM | 25 | MCWW EQUIPMENT |



VEHICLE WASHING
EQUIPMENT

48285 Frank
Wixom, MI 48393
www.motorcitywashworks.com

REV.	DATE	ENGR.	DESCRIPTION
Revisions			

DRAWN: PAK	DATE: 03/17/10	HARD COPY IS INTENDED TO BE ANSIB WHEN PRINTED SCALES ARE NOT ACQUAITE FOR ANY OTHER SIZE
SCALE: NTS	PAPER: 17" X 11"	
<p>BE ANSIB WHEN PRINTED SCALES ARE NOT ACQUAITE FOR ANY OTHER SIZE</p>		

CAR WASH
COVER PAGE

SHEET-
DWG:
XX