



CONVEYOR ANTICOLLISION INSTALLATION MANUAL

Part # CONVANTCOL0001
FOR SUPER DUTY CONVEYOR

TABLE OF CONTENT

Equipment Utilities.....	Page: 1
Equipment Specifications.....	Page: 1
Suggested Tools and Installation Materials.....	Page: 2
Installation Instructions.....	Page: 2

Equipment Utilities

	CONVANTCOL0001
ELECTRICAL	115-240 VAC, 50-60HZ, 1 AMP

Equipment Specifications and Features

- Convenient 115-240VAC Single Phase Supply Minimize Installation Cost
- Relay Output Interface with Any Type of Car Wash Controller

Suggested Installation Tools and Materials

-  Hand tools
- Cordless Drill
- Shielded Cable 5C/18AWG
- Waterproof Wire Nuts

Notes and safety Symbols

Where necessary, important points will be highlighted in this manual, using the following symbols:



NOTES: PROVIDES FURTHER INFORMATION!




STOP! PRECAUTION TO TAKE TO AVOID EQUIPMENT MALFUNCTION OR ERROR!

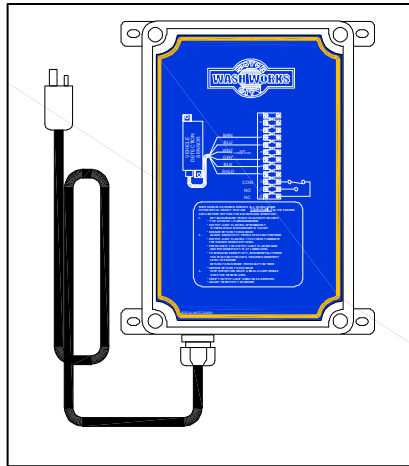


WARNING! DANGEROUS SITUATION WHICH MAY CAUSE EQUIPMENT DAMAGES, PERSONAL INJURIES OR FATALITIES!

Always follow all “Notes”, “Warning” and instructions. Not doing so may have serious consequences on the overall performance of the washing equipment and/or the safety of the people working on the equipment!

Installation Instruction

- ☑  **Open** all boxes and crates and verify that you have all the required components as well as all your installation material. Your anti-collision system comes with a control box (see Picture #1), 15FT of 3/4" liquid tight flexible conduit, one end cap and a 18mm vehicle sensor with 30FT cord (Picture #2).

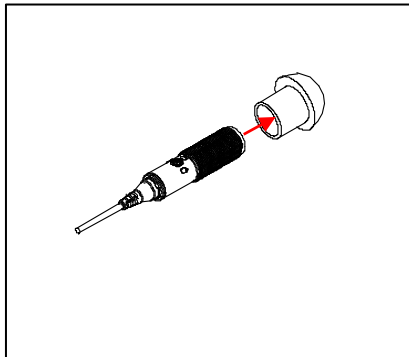


Picture #1: Control Box

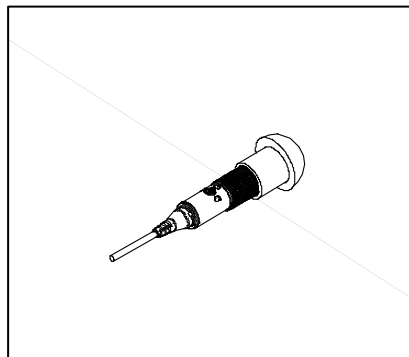


Picture #2: Vehicle Sensor

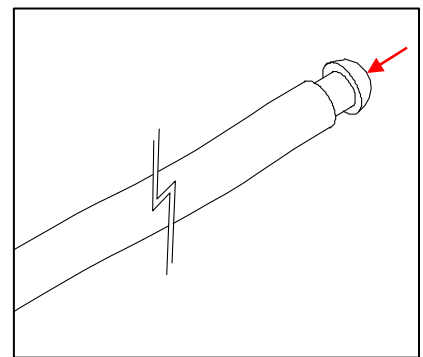
- ☐ **Push** the sensor into the supplied flexible conduit and press the head of the sensor into the end cap (see Pictures below).



Picture #3: End Cap

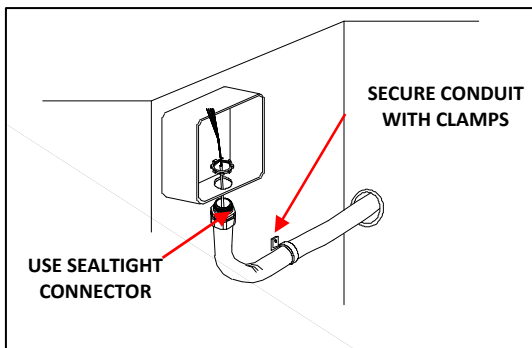


Picture #4: Sensor Head Into End cap

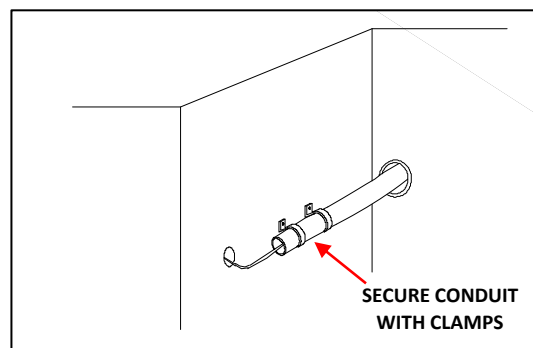


Picture #5: Push End cap Into Conduit

- ☐ **Push** the flexible conduit into underground chase until about 10FT of conduit is in. Secure solidly the other conduit end onto the wall with clamps. Pull the conduit into a rated NEMA4X junction box using a 3/4 seal tight connector (see Picture below) or pull the sensor cable through a chase back to a dry area for the connections (see Picture #7 below).

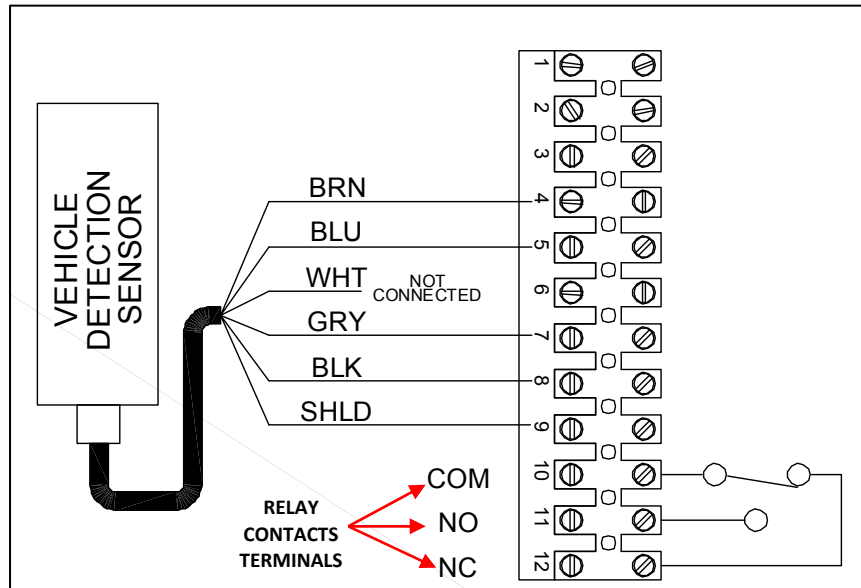


Picture #6: Flex Conduit Into a J-Box




Picture #7: Vehicle Sensor Cord Pulled Back In Mech. Room

- **Connect** the sensor following the wiring diagram shown on Picture #8 below.



Picture #8: Sensor Connection Diagram



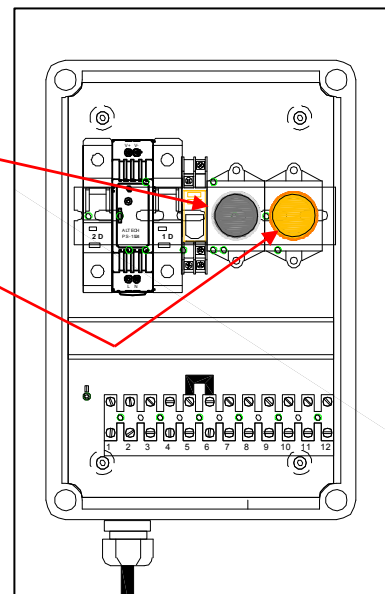
STOP!

USE ONLY 18 AWG SHIELDED CABLE FROM THE SENSOR TO THE CONTROL BOX.

NOT USING APPROPRIATE SHIELDED CABLE WHEN EXTENDING THE SENSOR CABLE WILL LEAD TO FAILURE OF THE SENSOR AND NUISANCE STOPPING OF THE CAR WASH.

- **Plug** the controller into an electrical outlet (for 240VAC-50HZ, remove NEMA cord and connect to terminals 1-2-3) and follow the procedures listed below to start-up your Anti-collision system.

- 1- Remove all vehicles and other metal object that are temporarily in the sensing area before setting the background condition.
- 2- To set the background: press teach button once.
 - * The sensor learn background
 - * The output light flashes approximately 12 times while background is taught
 - * Sensor return to run mode.
- 3- To adjust sensitivity: press teach button twice
 - * Output light flashes 1 to 6 times to indicate the sensor sensitivity level
 - * Press once, the output light flashes once and the sensitivity is at lower level.
 - * To increase sensitivity, incrementally press the teach button until required sensitivity level is reached.
 - * Return to run mode: press button twice, sensor return to run mode
- 4- Test operation: drive a small/light vehicle over the sensor area
 - * Verify output light come on as expected
 - * Adjust sensitivity as needed



- Finally**, connect to the car wash controller using the relay contacts (terminals #10, 11 and 12) shown on Picture #8.

Warranty and Return Procedure:

Motor City Wash Works warrant this product to be free of defect in material and/or workmanship for a period of **one year** from the date of the purchase by the customer from MCWW. During the warranty period MCWW will at its discretion, at no charge to the customer, repair or replace this product if found defectives, with a new or refurbished unit, but not to include costs of removal or installation. Any product returned to MCWW for warranty has to have a **Return Material Authorization Number**. All shipping cost to MCWW is assumed by the customer. This is only a summary of **MCWW Limited Warranty**. Please, communicate with MCWW for our complete warranty.

Prior to returning any product to MCWW, the customer must call in for **Return Material Authorization Number** and a copy of our **Return Material Authorization** Form filled and completed. The **RMA** number must be written clearly on the outside of the shipping package and copy of the form must be included in the package.