



TABLE OF CONTENT

Equipment Utilities..... Page: 1
 Equipment Specifications..... Page: 1
 Suggested Tools and Installation Materials..... Page: 2
 Installation Instructions..... Page: 2

Equipment Specifications and Features

- Convenient Hose and Cable Duct for Utility Supply
- Comprehensive Design Utilizing 12ft Ladder Tracks
- No Corners, Elbow or Tees Needed

Notes and safety Symbols

Where necessary, important points will be highlighted in this manual, using the following symbols:


 **NOTES: PROVIDES FURTHER INFORMATION!**

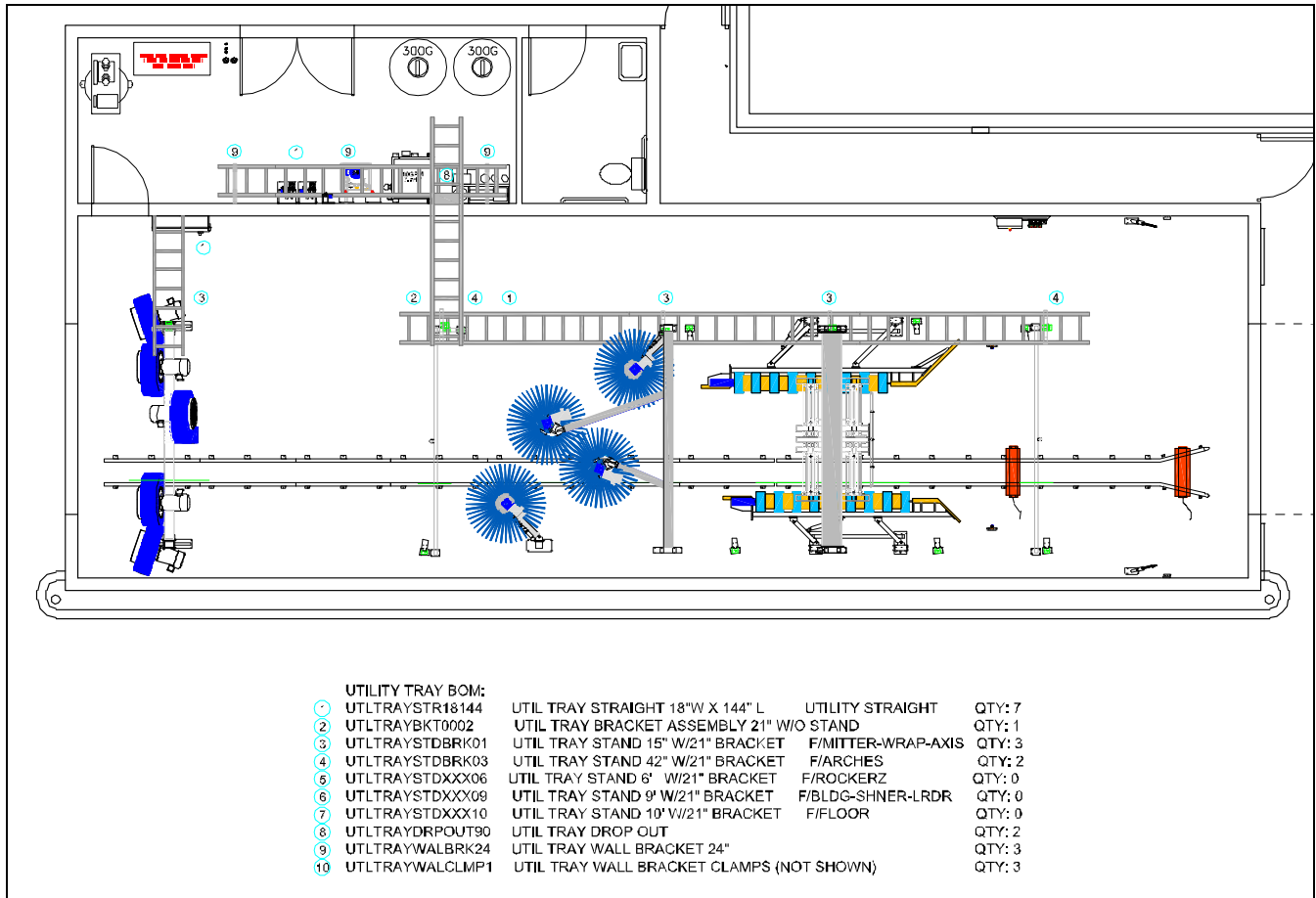
 **STOP! PRECAUTION TO TAKE TO AVOID EQUIPMENT MALFUNCTION OR ERROR!**

 **WARNING! DANGEROUS SITUATION WHICH MAY CAUSE EQUIPMENT DAMAGES, PERSONAL INJURIES OR FATALITIES!**

Always follow all “Notes”, “Warning” and instructions. Not doing so may have serious consequences on the overall performance of the washing equipment and/or the safety of the people working on the equipment!

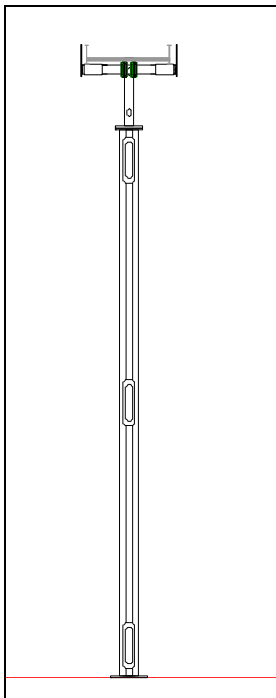
Installation Instruction for Cross-Over™ Wrap Around

-  **Open** all boxes and crates and verify that you have all the required components as well as all your installation material.
- Using** your installation Utility Track Layout drawing, position the different legs where indicated throughout the wash and secure to the floor and/or to the equipment.
- If** no layout is available, you may have to design a sketch locating the different stands and support for your utility tracks before your start erecting your equipment (see Picture #1).

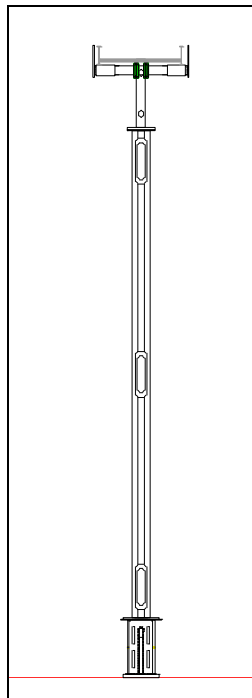


Pic 1: Utility Track Layout

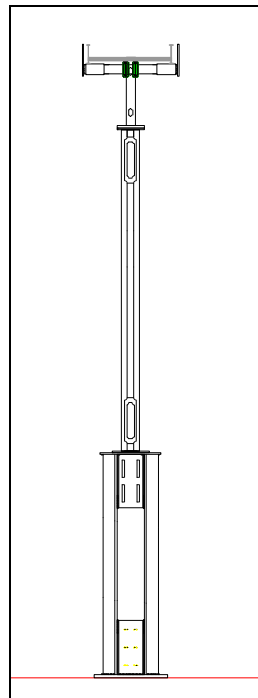
- Your MCWW Utility Track System comes partially assembled and is designed to mount either directly to the floor or mounts to a large variety of equipment (see Pictures below)**



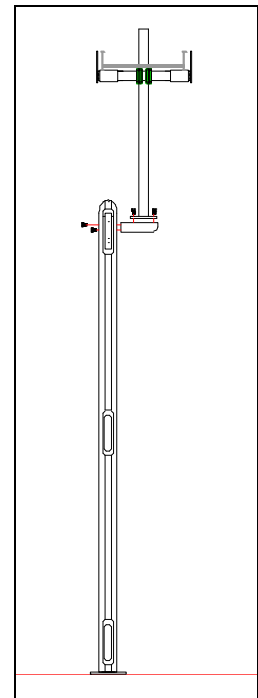
Pic 2: Floor Mounted Stand



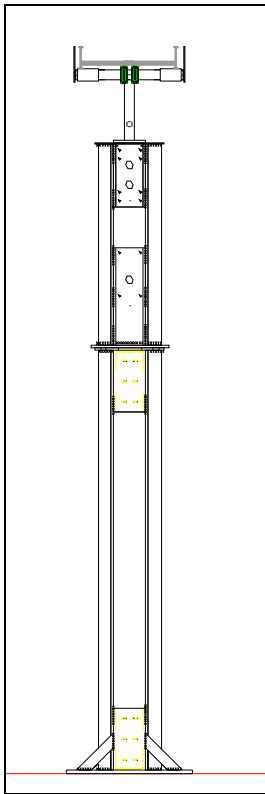
Pic 3: Bulldog, Supershiner, Low Rider/High Boy Mounted Stand



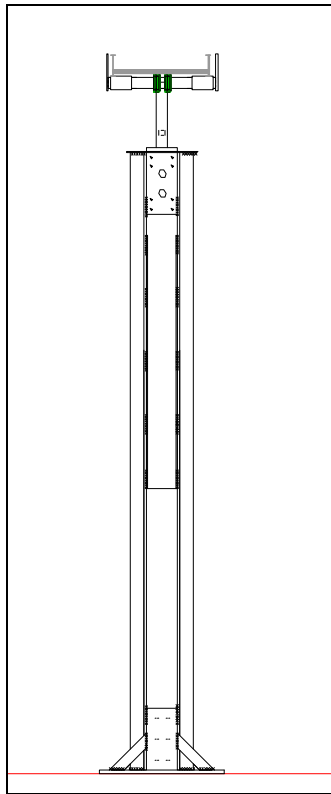
Pic 4: Rockerz Mounted Stand



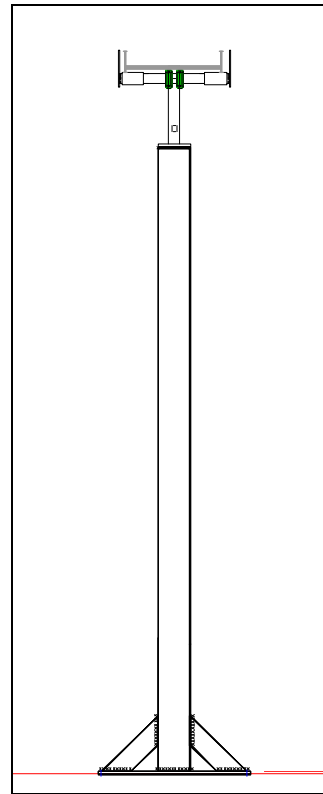
Pic 5: Arch Mounted Stand



**Pic 6: Wrap or Mitter
Leg Mounted Stand**

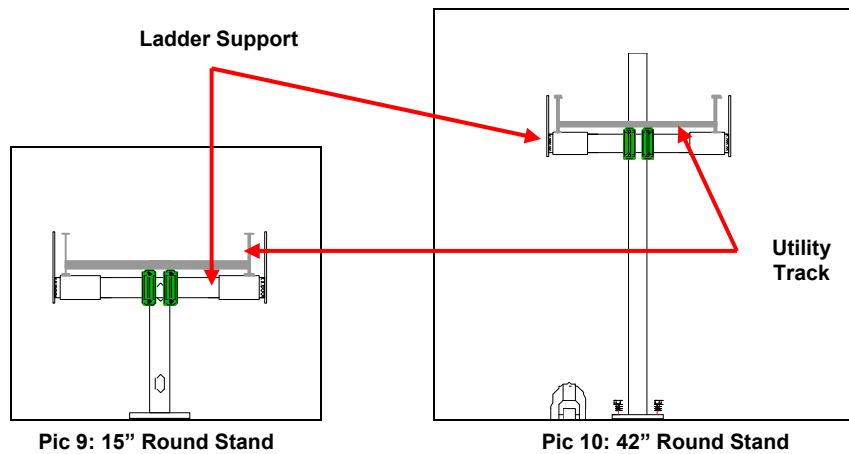


**Pic 7: Color Skinz Dryer
Leg Mounted Stand**



**Pic 8: Square Beam Dryer
Leg Mounted Stand**

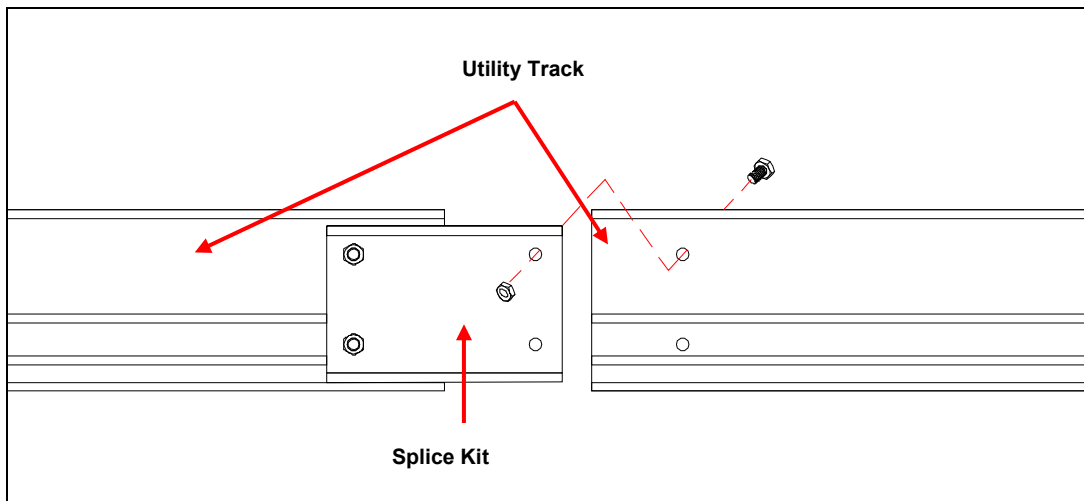
- Assemble** the green clamps to the ladder support and mount to 15" and 42" round stands.



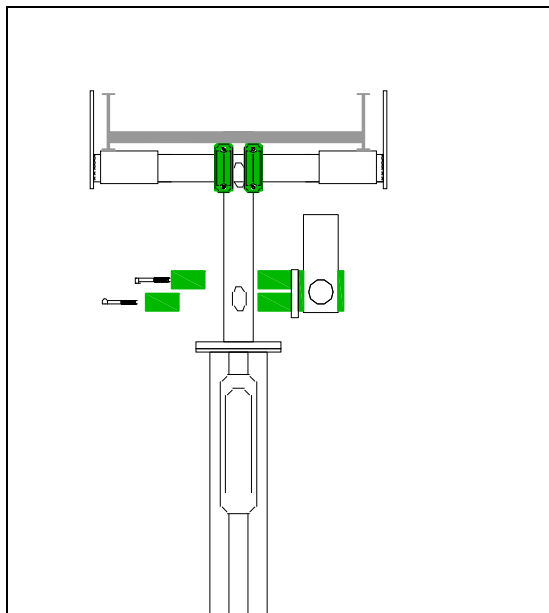
Pic 9: 15" Round Stand

Pic 10: 42" Round Stand

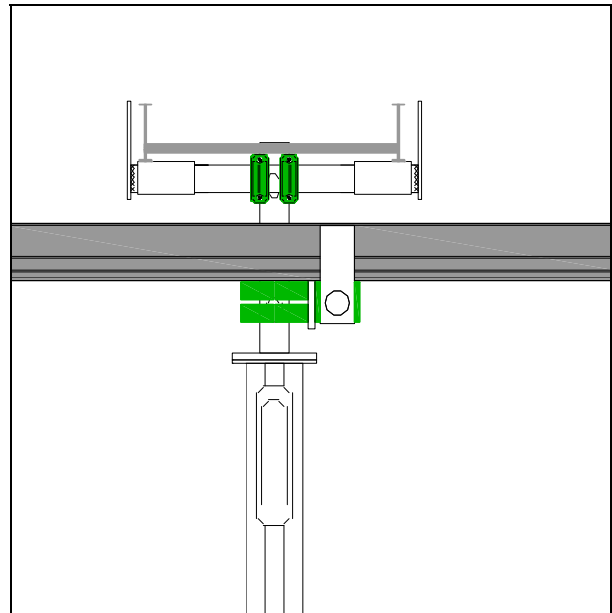
- Mount** each Ladder Support assembly to the appropriate equipment using the provided fasteners. Secure the floor mounted stands to the floor using 1/2" wedge anchor bolts.
- Assembles** the utility tracks using the supplied splice kit (see Picture #11) and install a length of 3 or 4 ladder track assembly on top of the utility support (see Picture #9 and 10).
- If** you need to install and additional ladder track perpendicular to the main ladder. Use a ladder support and mount on top of the stand, above the existing ladder track (see Picture #12 and #13).



Pic 11: Splice Kit



Pic 12: Mount Additional Ladder Support



Pic 13: Positions Ladder Perpendicular

Warranty and Return Procedure:

Motor City Wash Works warrant this product to be free of defect in material and/or workmanship for a period of **one year** from the date of the purchase by the customer from MCWW. During the warranty period MCWW will at its discretion, at no charge to the customer, repair or replace this product if found defectives, with a new or refurbished unit, but not to include costs of removal or installation. Any product returned to MCWW for warranty has to have a **Return Material Authorization Number**. All shipping cost to MCWW is assumed by the customer. This is only a summary of **MCWW Limited Warranty**. Please, communicate with MCWW for our complete warranty.

Prior to returning any product to MCWW, the customer must call in for **Return Material Authorization Number** and a copy of our **Return Material Authorization Form** filled and completed. The **RMA** number must be written clearly on the outside of the shipping package and copy of the form must be included in the package.