



ROUND L.E.D. MARKETING SIGN
Part # ARCHLIGHTKITxxxx]
(ALL COLORS)

Notes and safety Symbols

Where necessary, important points will be highlighted in this manual, using the following symbols:

 **NOTES: PROVIDES FURTHER INFORMATION!**

 **STOP! PRECAUTION TO TAKE TO AVOID EQUIPMENT MALFUNCTION OR ERROR!**


 **WARNING! DANGEROUS SITUATION WHICH MAY CAUSE EQUIPMENT DAMAGES, PERSONAL INJURIES OR FATALITIES!**

Always follow all “Notes”, “Warning” and instructions. Not doing so may have serious consequences on the overall performance of the equipment and/or the safety of the people working on the equipment!


Electrical Specs: Part # ARCHLIGHTKITxxxx

Light Sign.....24VDC
Power Supply..... 120VAC Supply
Flasher Unit..... 120VAC or 24V AC/DC Coil UL ® CERTIFIED

Suggested Installation Tools and Materials

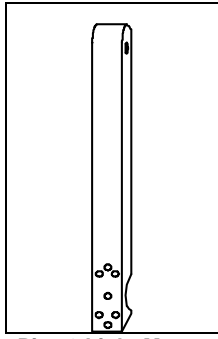
-  2 or 3 Conductors #14 AWG Low Voltage Cable
- 6' Step Ladder
- Wire Stripper and Wire Ties
- Water Proof Wire Nuts

Installation Procedures:

-  **Upon** receiving your MCWW Light Kit, open the box and verify that you have all the required components as well as there are no damages to the equipment. Verify also that you have all your installation material.



Pic #1: LED Light



Pic #2 Light Mount and Fasteners

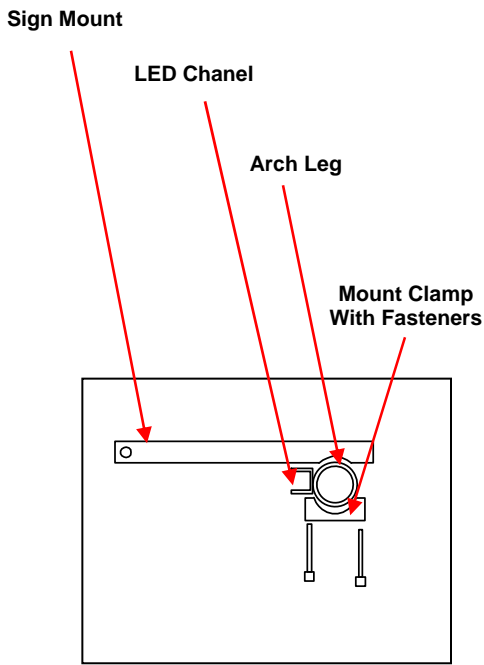


Pic #3: Flasher/ Power Supply

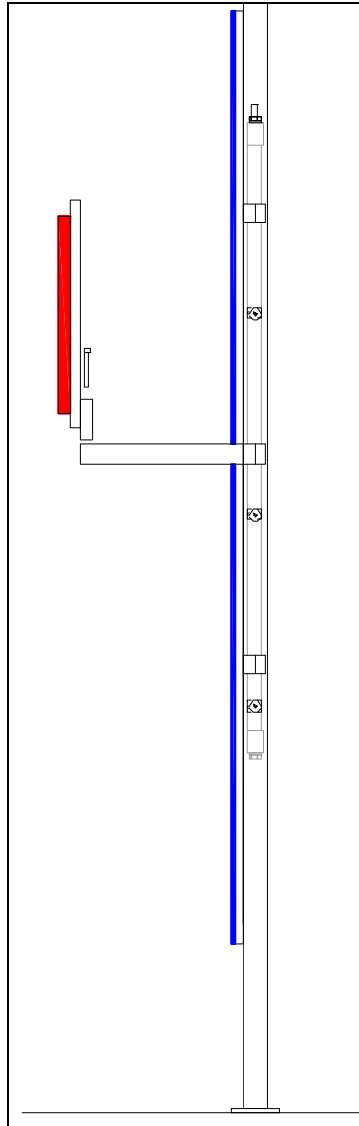
- Your MCWW ROUND LED sign can be mounted on an array of different stand or legs:

SPECTRUM ARCH:

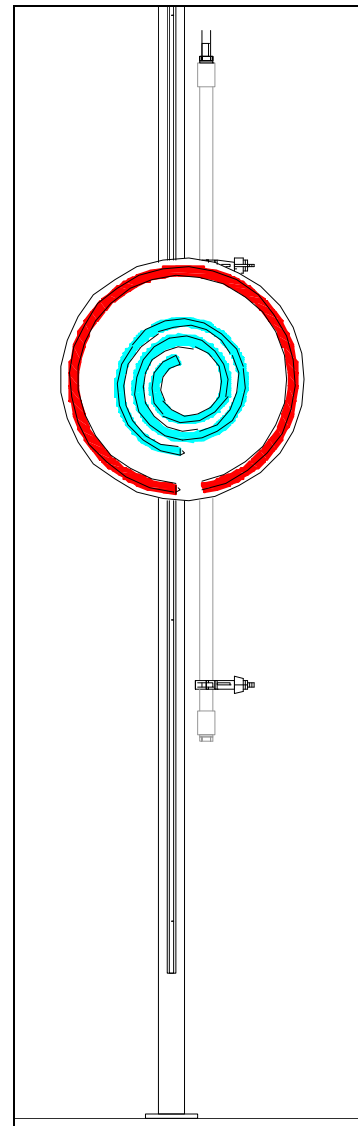
- Install** the sign mount like shown on picture #5 above the water manifold located about 40" off the floor. Secure the sign onto the mount (Picture #6) and feed the sign cables thru the opening below the mount all the way down to the leg base. Make your connection at the base and tuck the wires back into the leg (see "ELECTRICAL DIAGRAMS" section for electrical connections).



Pic #5: LED Sign Mount Shown with Mount Clamp



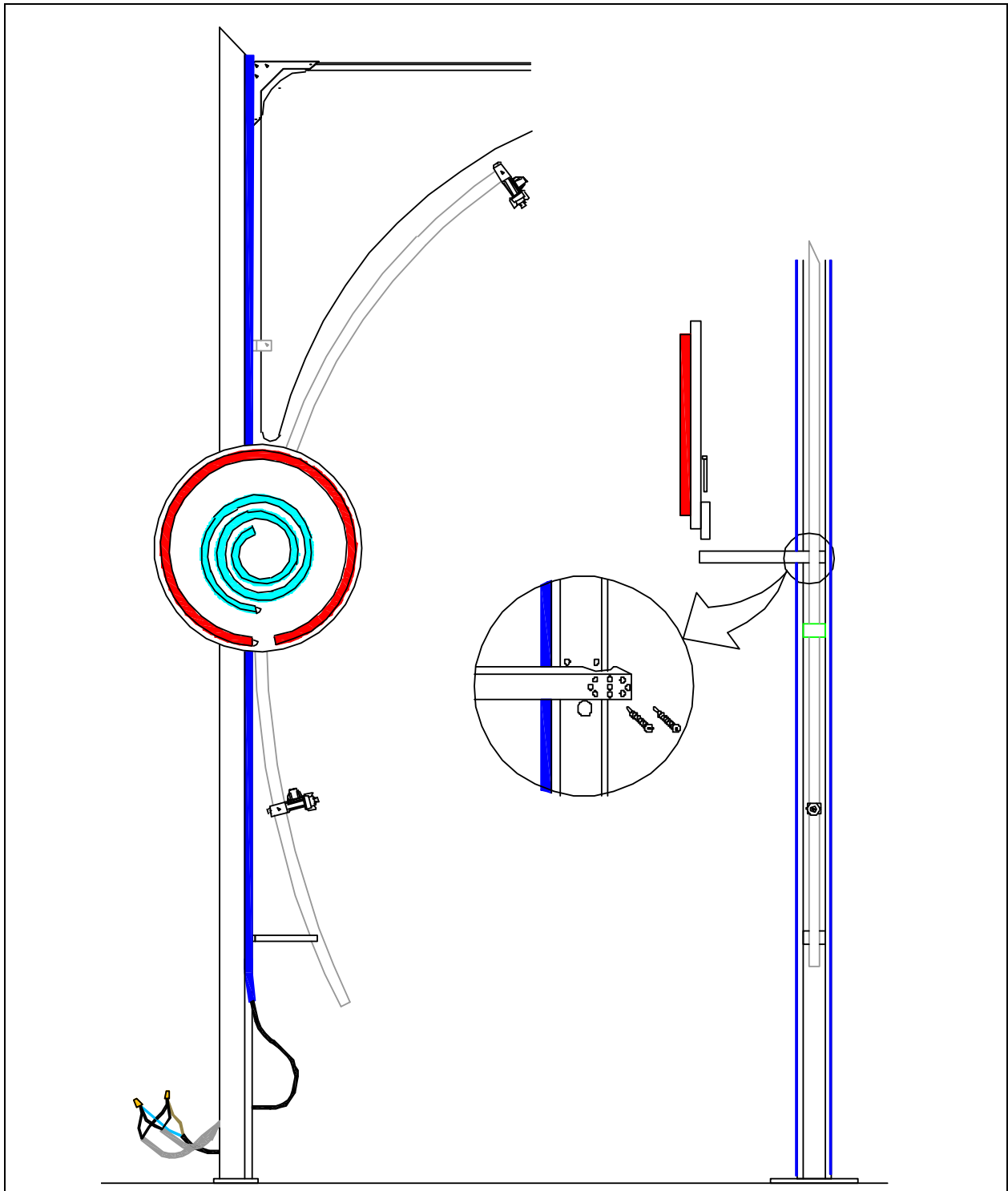
Pic #6: Secure Sign On Mount



Pic #7: Round Sign Installed

COLOR SKINZ ARCH:

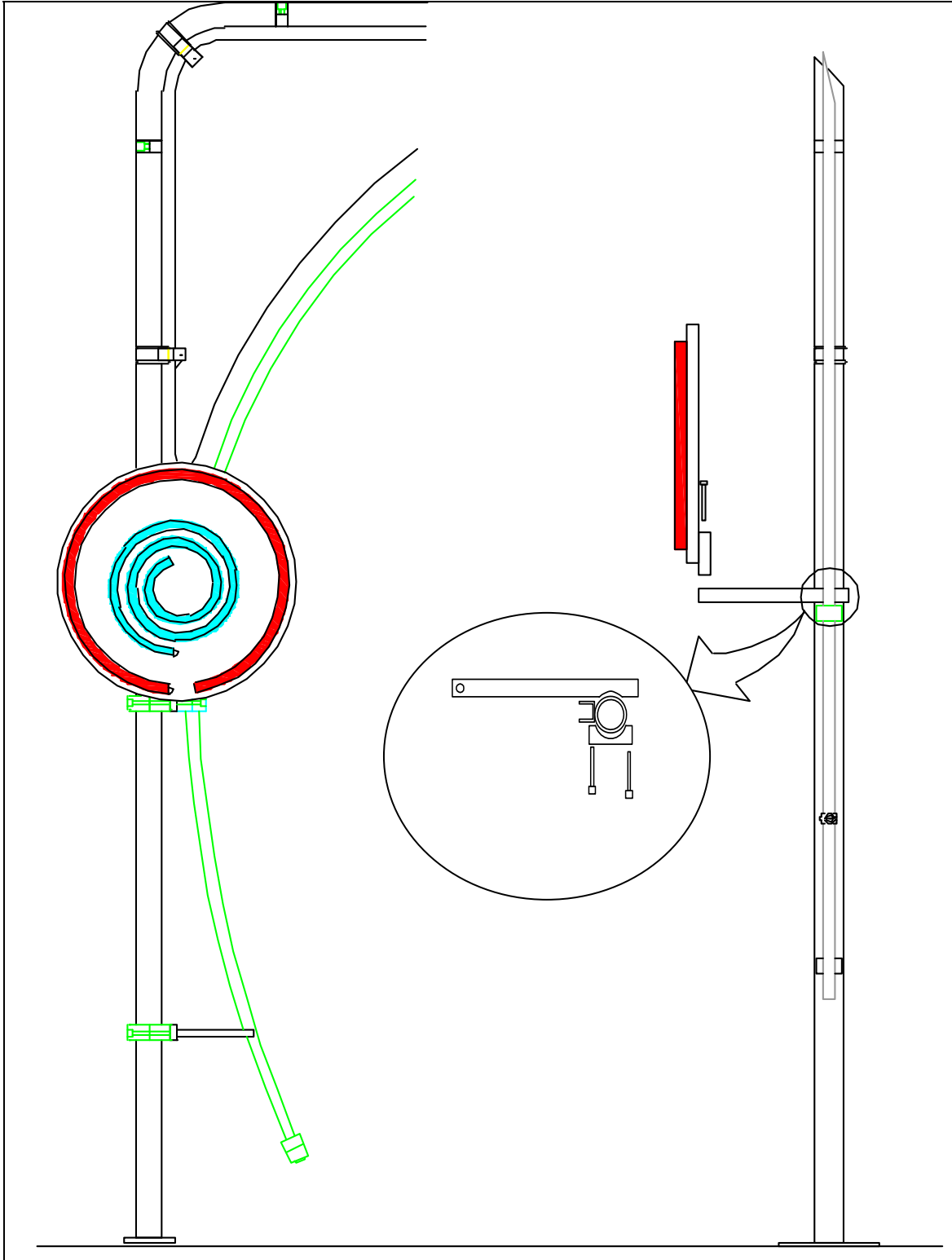
- **Secure** the mount to the leg, right above the utility hole or about 57" off the floor (Picture #8). Use the supplied screws and the existing mounting holes in the arch leg. Feed the sign cables thru the opening below the mount all the way down to the leg base. Make your connection at the base and tuck the wires back into the leg (see "ELECTRICAL DIAGRAMS" section for electrical connections).



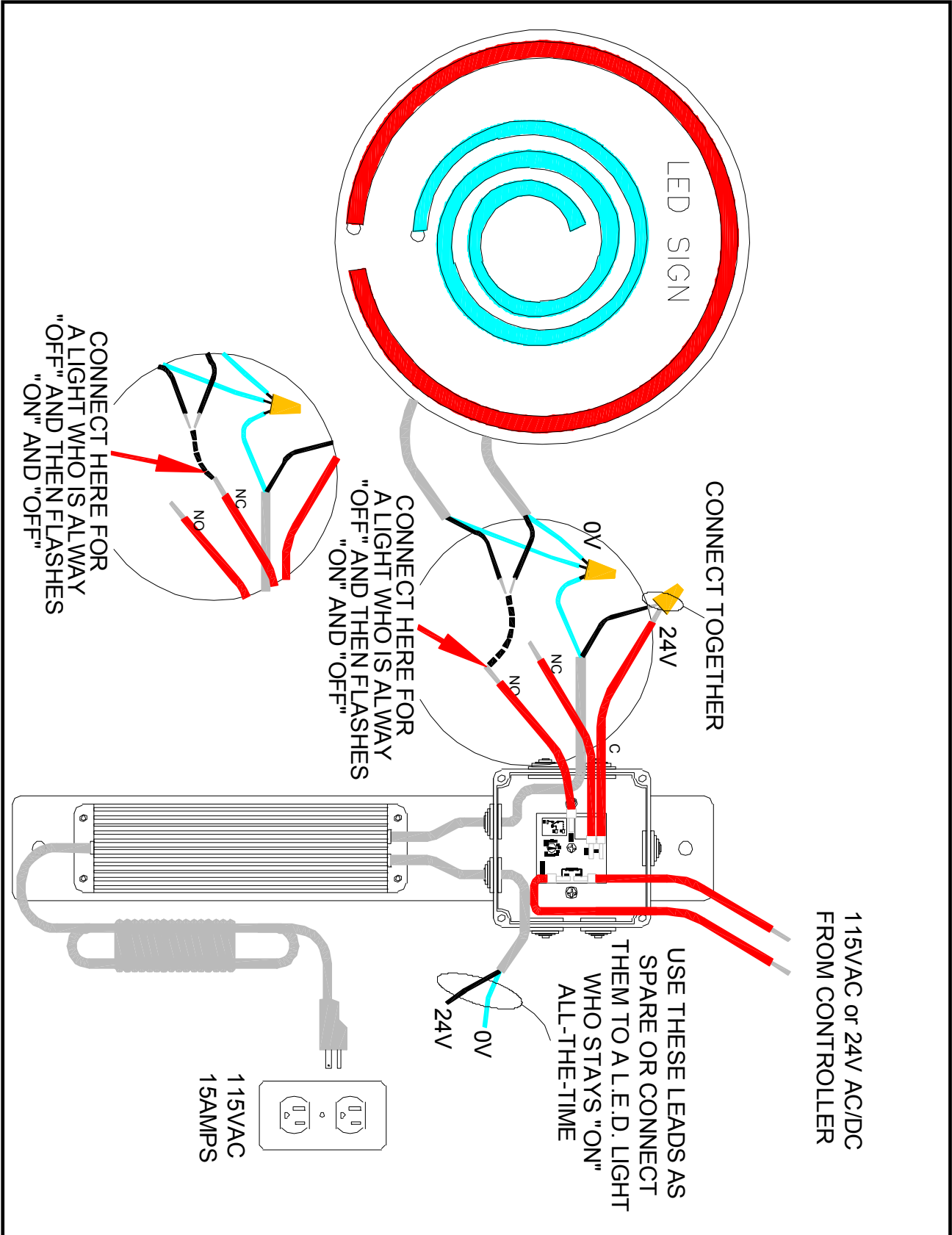
Pic #8: Sign Mounted on a Color Skinz Arch

BOOMERANG ARCH:

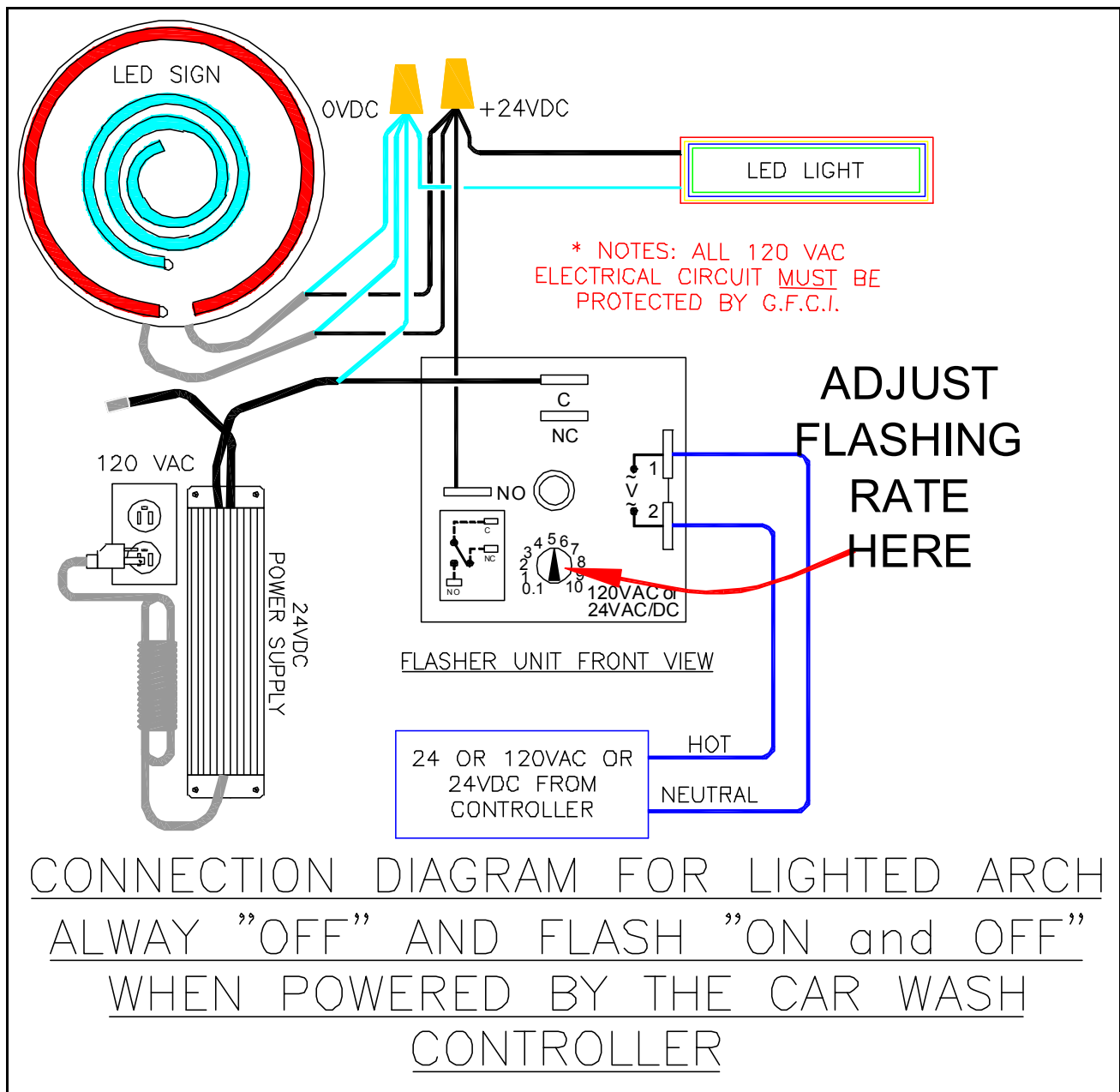
- **Secure** the mount to the leg about 57" off the floor (Picture #9). Use the supplied screws and the existing mounting holes in the arch leg. Drill a utility hole below the mount and feed the sign cables all the way down to the leg base. Make your connection at the base and tuck the wires back into the leg (see "ELECTRICAL DIAGRAMS" section for electrical connections).




Pic #9: Sign Mounted on a Boomerang Arch



Pic #10: Electrical Connection for Light "Flash ON" and "Flash OFF"

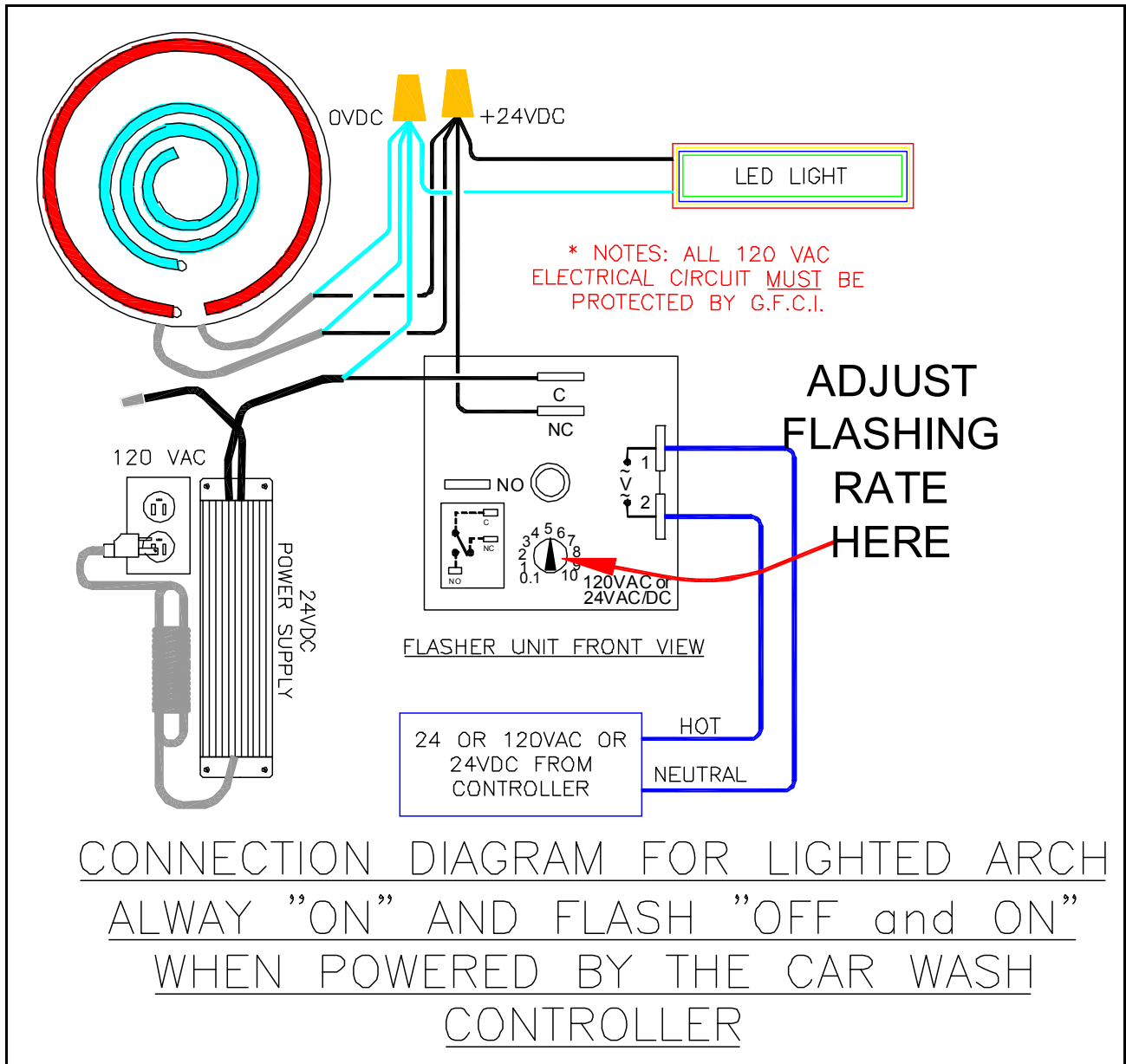


Pic #11: Connection Diagram of Flasher Unit with Light Always ON



WARNING!

ALWAYS PROTECT 120VAC ELECTRICAL BRANCH WITH PROPERLY SIZED BREAKER AND GROUND FAULT DETECTION. NOT DOING SO MAY CAUSE EQUIPMENT DAMAGES, PERSONAL INJURIES OR FATALITIES!



Pic #12: Connection Diagram of Flasher Unit with Light Always OFF


STOP!

DO NOT OVERLOAD THE FLASHER UNIT POWER SUPPLY!

4.2 MAX AMPS ALLOWED PER POWER SUPPLY

ROUND SIGN = 1 AMP EACH
CORNER SIGN = 1.2 AMPS EACH
BORDER LIGHT (26 FT) = 2.6 AMPS EACH

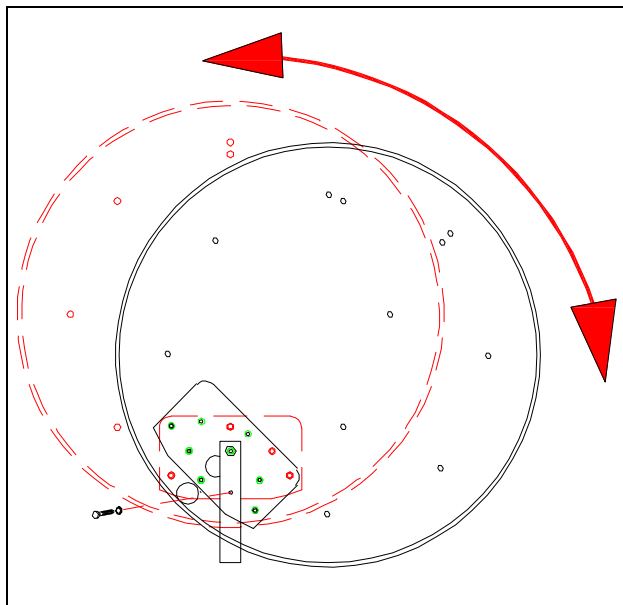
Start Up and Operation

-  Plug the power supply into the power outlet and turn ON manually the car wash controller output. Your light should now be flashing!

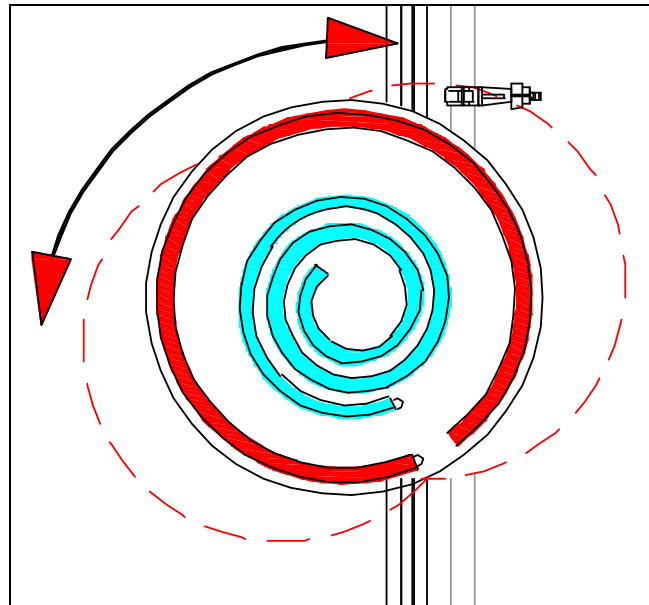


NOTES: IF THE LIGHTS DON'T WORK, IT MAY BE CONNECTED BACKWARD. REVERSE THE WIRES POLARITY IN THE FLASHER BOX OR AT THE LIGHT CONNECTIONS

- Open the cover of the flasher enclosure. By turning the flasher knob, adjust the flashing rate to your desire.
- To adjust the position of the sign on the mount, remove the bottom screw located on the lower part of the back plate mount (see Picture #13-14 below) and rotate the sign until the next bolt position..



Pic #13: Back Sign Mount



Pic #14: Front of Sign

Warranty and Return Procedure:

Motor City Wash Works warrant this product to be free of defect in material and/or workmanship for a period of **one year** from the date of the purchase by the customer from MCWW. During the warranty period MCWW will at its discretion, at no charge to the customer, repair or replace this product if found defectives, with a new or refurbished unit, but not to include costs of removal or installation. Any product returned to MCWW for warranty has to have a **Return Material Authorization Number**. All shipping cost to MCWW is assumed by the customer. This is only a summary of **MCWW Limited Warranty**. Please, communicate with MCWW for our complete warranty. **Prior** to returning any product to MCWW, the customer must call in for **Return Material Authorization Number** and a copy of our **Return Material Authorization** Form filled and completed. The **RMA** number must be written clearly on the outside of the shipping package and copy of the form must be included in the package.