

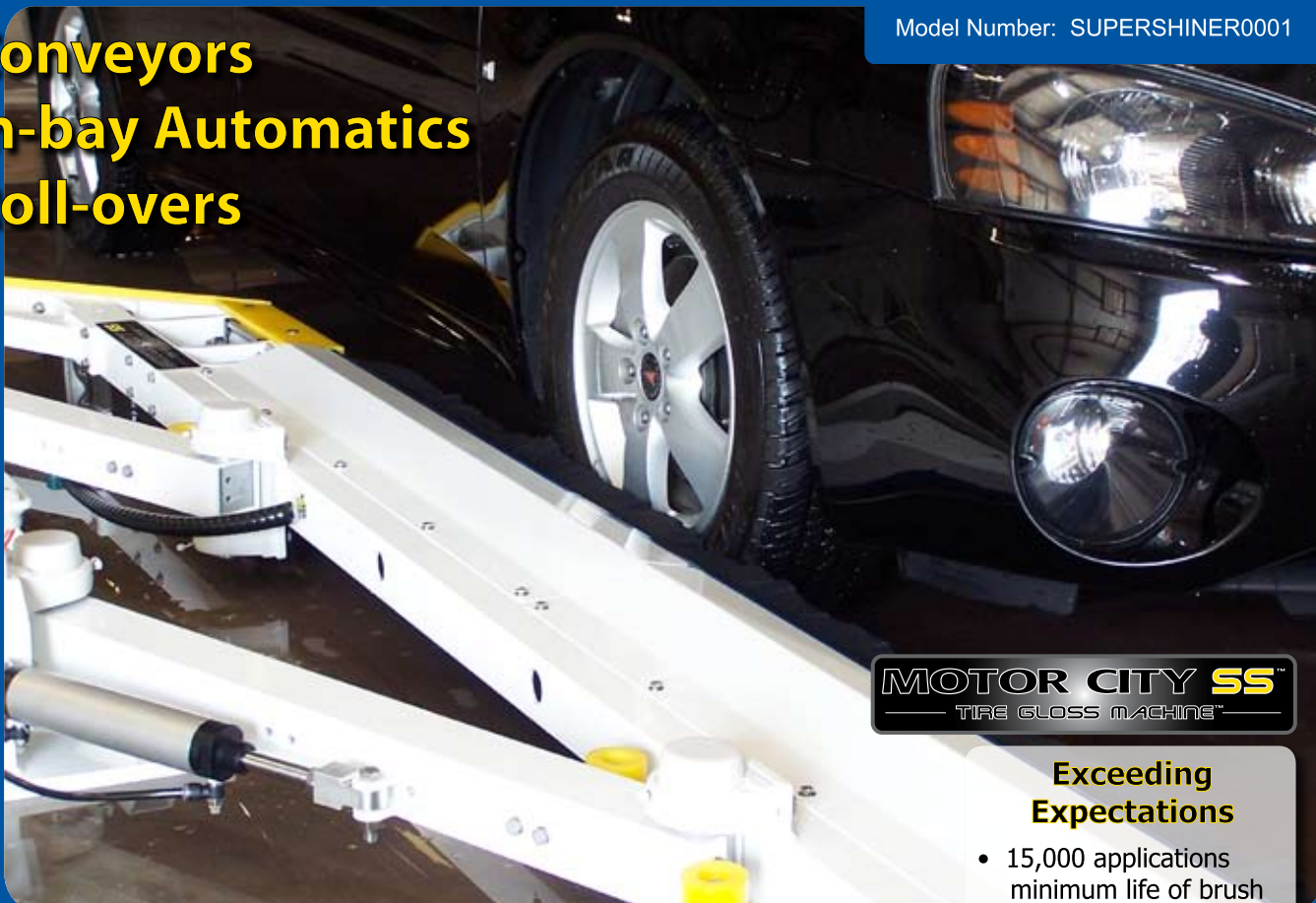


Vehicle Washing Equipment  
Exceed Expectation™

# MOTOR CITY SUPER SHINER™

Model Number: SUPERSHINER0001

- **Conveyors**
- **In-bay Automatics**
- **Roll-overs**



**MOTOR CITY SS™**  
TIRE GLOSS MACHINE™

### Exceeding Expectations

- 15,000 applications minimum life of brush
- Zero wear when service is not selected

APPLICATOR



GUIDERAIL

*Flips from its application position to its rest position in less than a second!*

Technically speaking, the Motor City SS™ lives in the tire dressing applicator world, but calling it just another tire dressing applicator would be like calling a fighter jet an airplane. The SS's capabilities easily put it in a class by itself.

The on-demand two in one guide-rail/applicator brush design is great for all segments of the professional car wash industry from fleet and in-bay's to full-service conveyorized tunnels.

The SS structure is made from durable yet sleek powder coated aluminum, thermoplastic hard chrome/stainless steel pivot bearings, bulkhead utility connections, aluminum air cylinder, UHMW guide rails & lead-in, three exclusive Motor City Wash Works extrusions, plus much more.

**The result?** A beautifully functioning automatic tire gloss applicator that is clearly the product of the passion and dedication of some of the best car wash designers and engineers around.

quick and easy ordering online at [www.motorcitywashworks.com](http://www.motorcitywashworks.com)

# MOTOR CITY SS™ tire gloss machine

## FEATURES & BENEFITS

- Unique patent pending two in one, **On-Demand Guiderail/ Applicator Brush** quickly flips from its guiderail rest position to its on-demand applicator position, insuring that only the vehicles which have purchased the service, receive it.
- **Powder Coated Aluminum** construction insures a long lasting, durable, easy to clean structural surface.
- **Corrosion Resistant Bearings** comprised of a thermoplastic housing with hard chrome/stainless steel bearings promotes longer life with a cleaner look.
- **12-Inch Replaceable Applicator Brush Sections** allows you to selectively replace worn sections one at a time.
- **Compact Solution Delivery Station** conserves valuable wall space in your equipment room and is designed for simplistic adjustment control.
- **Pneumatic Controls** are used in the wash area, no hydraulic or 3-phase electrical required.

## TECHNICAL REQUIREMENTS

### Chemical Solution

- » Control Panel to Applicator - (2) 1/2" Nylon Braided Hose
- » Supply - (2) 3/4" Vinyl Tubing

### Pneumatics

- » Supply line - 3/8"
- » Consumption - 10 SCFM @ 40PSI

### Electrical

- » 110 V

### Operating Envelope

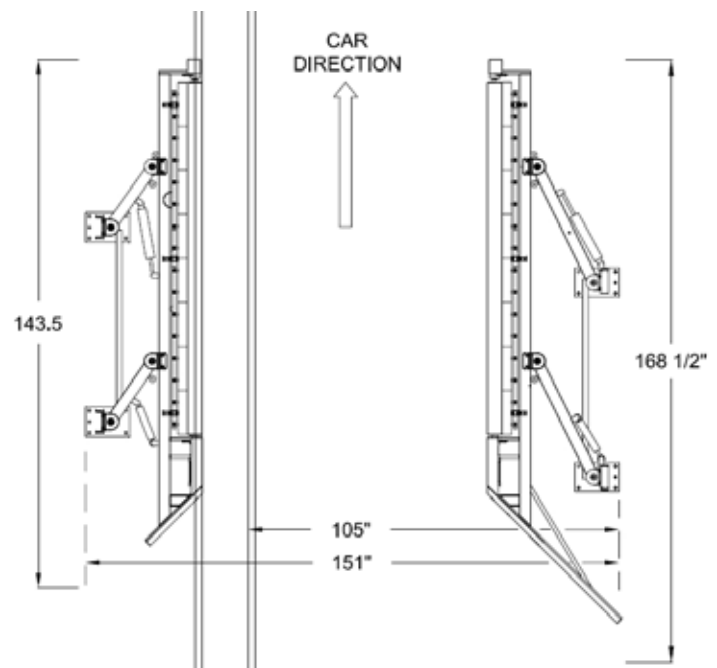
- » Length - 168.5in. (14.5ft.)
- » Width - 151in. (12.58ft.)
- » Height - 14in. (1.17ft.)

**M**otor City Wash Works, Inc. was established by industry leading professionals. The company designs and manufactures exceptional car wash equipment for the professional car wash industry. Our equipment easily integrates into any car wash package, new & old. Our products are serviced and sold through a global distribution network of over 200 independent car wash equipment distributors.

For more information on other great products from Motor City Wash Works, please contact our international headquarters toll-free at 1.866.362.6377 or visit [www.motorcitywashworks.com](http://www.motorcitywashworks.com)

© Copyright 2006 Motor City Wash Works, Inc.

Specifications are subject to change. Information is provided for reference only and is not to be used for installation purposes. Please refer to Motor City Wash Works, Inc. equipment manuals and drawings for installation specifications.



TOP VIEW



ELEVATION VIEW

\*In-bay and Roll-over drawings available upon request.

**Easily Integrates Into Any Car Wash Equipment Package...**

Motor City Wash Works, Inc.  
48285 Frank Street  
Wixom, Michigan 48393  
U.S.A.



Phone: 1.866.362.6377  
Fax: 1.248.313.0271  
[www.motorcitywashworks.com](http://www.motorcitywashworks.com)  
Manufactured in the U.S.A.