



IN-BAY SHINER DELAYED SIGNAL MODULE

Notes and safety Symbols

Always follow all “Notes”, “Warning” and instructions. Not doing so may have serious consequences on the overall performance of the equipment and/or the safety of the people working on the equipment!



NOTES: PROVIDES FURTHER INFORMATION!



STOP! PRECAUTION TO TAKE TO AVOID EQUIPMENT MALFUNCTION OR ERROR!



WARNING! DANGEROUS SITUATION WHICH MAY CAUSE EQUIPMENT DAMAGES, PERSONAL INJURIES OR FATALITIES!

Installation Procedures

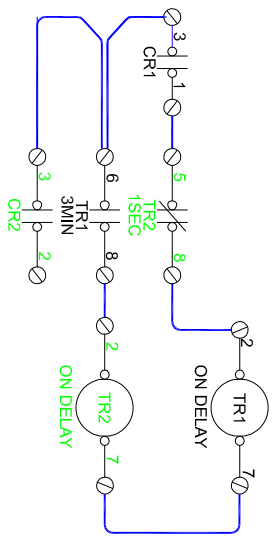
- Install** the module between the P.O.S. signal and the existing **IN-BAY SHINER BOX**. The module will delay the signal from the P.O.S. to the Shiner for a selectable time (pre-set at factory for 3 minutes) allowing the previous user to leave the Shiner before the P.O.S. signal is send to the **IN-BAY SHINER BOX**.
- Wire** the module using the schematic provided in the SUPPORT DOCUMENT section.

Warranty and Return Procedure:

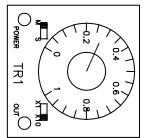
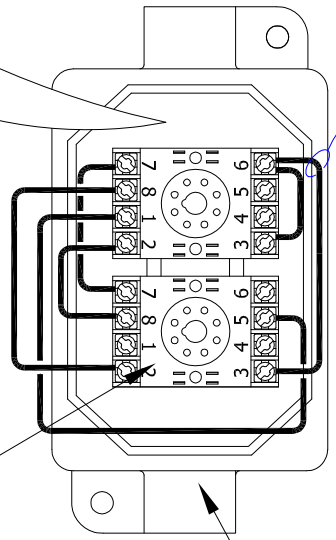
Motor City Wash Works warrant this product to be free of defect in material and/or workmanship for a period of **one year** from the date of the purchase by the customer from MCWW. During the warranty period MCWW will at its discretion, at no charge to the customer, repair or replace this product if found defectives, with a new or refurbished unit, but not to include costs of removal or installation. Any product returned to MCWW for warranty has to have a **Return Material Authorization Number**. All shipping cost to MCWW is assumed by the customer. This is only a summary of **MCWW Limited Warranty**. Please, communicate with MCWW for our complete warranty.

Prior to returning any product to MCWW, the customer must call in for **Return Material Authorization Number** and a copy of our **Return Material Authorization Form** filled and completed. The **RMA** number must be written clearly on the outside of the shipping package and copy of the form must be included in the package.

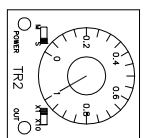
Rev: XXX
Date: XXX



8ELECWIR189G0005 WIRE STRND COP #18AWG BLU



SET TR1 TO 3 MIN



SET TR2 TO 1 SEC

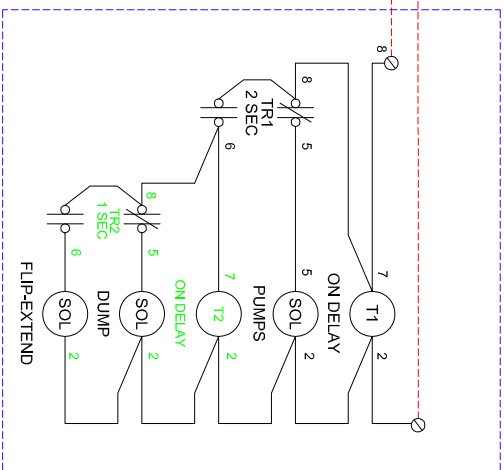
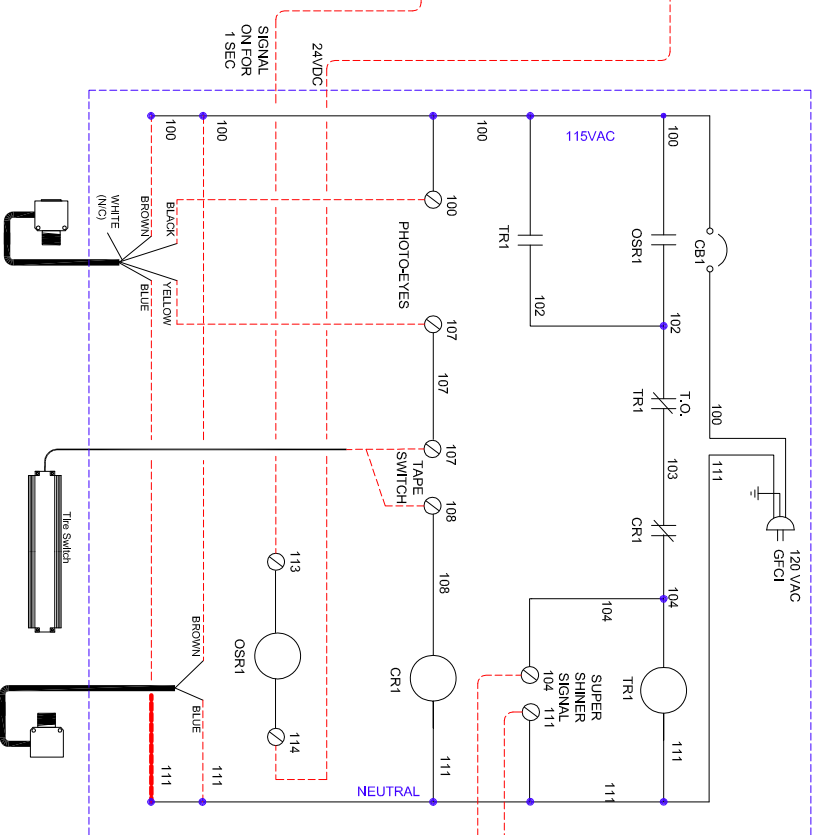
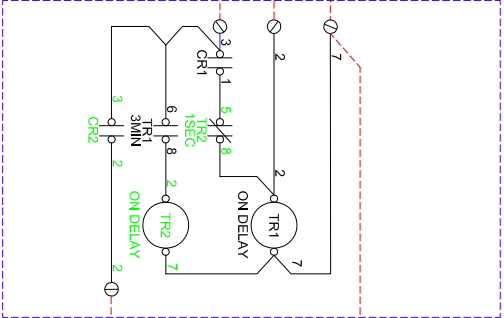
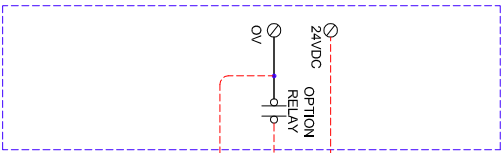
2 X 8ELECRLTYMR0005 24VOLT ONLY!

MATERIAL USED:

TOOL LIST:

- 1-
- 2-
- 3-

<p>PROGRAM #: XXX</p>	<p>DATE: XXX</p>	<p>DESIGN BY: MML</p>	<p>DATE: 09-22-10</p>
		<p>Part Number: TIMRCONTRLBX005</p>	
<p>Scale: NTS Unless otherwise specified</p>		<p>Description: IN-BAY SHINER DELAY SIGNAL MODULE 24V AC-DC ENC-121-500</p>	
<p>.XX ± .010 .XXX ± .005 .XXXX ± .001 Fract. ± 1/32"</p>		<p>DATE: XXX MODIFIED BY: XXX MECHANICAL TEMPLATE</p>	



VEHICLE WASHING
EQUIPMENT

48285 Frank Street
Wixom, Michigan 48393
www.motorcitywashworks.com

REVISIONS

LVL	DATE	ENGR	DESCRIPTION

DRAWN:	DATE:
MML	09-22-10
SCALE:	PAPER:
NIS	11" X 17"

HARD COPY IS INTENDED TO
BE ANSIB WHEN PRINTED
SCALE(S) ARE NOT ACURATE
FOR ANY OTHER SIZE

ELECTRICAL SHERMATIC
IN-BAY SHINER W/DELAYED SIGNAL
24V AC-DC ONLY Y1