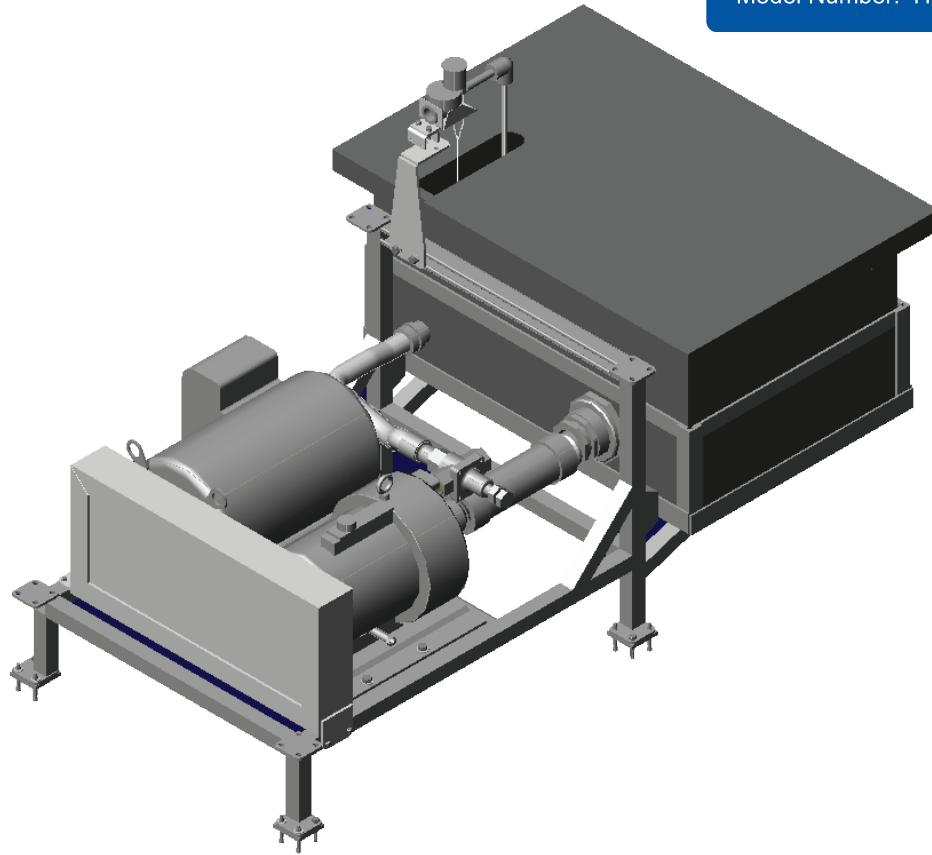




Vehicle Washing Equipment
Exceed Expectation™

WANNER 38GPM PUMP STATION

Model Number: HPPUMPSTATION02



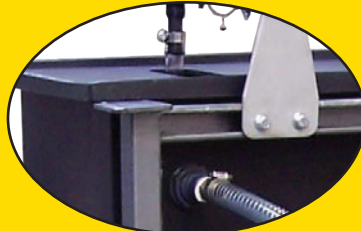
Designed Best For:

Rinse Arches • Side & Top Blasters • High Pressure Washing

Wanner D-35
Hydra-Cell® Pump



80 Gallon Heavy Duty, High
Density, Plastic Storage Tank



Powder Coated
Galvanized Steel Frame



quick and easy ordering online at www.motorcitywashworks.com

WANNER 38GPM PUMP STATION

FEATURES & BENEFITS

- » **Wanner Hydra-Cell®** High Pressure Pump which is capable of pumping soap solutions and filtered reclaim water. Capable of running dry without harming the pump.
- » **30 H.P. Electric Motor** delivers 38 GPM @ 1,100 PSI to remove the toughest soils.
- » **Powder Coated, Galvanized Steel Frame** offers a durable, clean finish to maintain that like new look.
- » **80 Gallon Heavy Duty, High Density, Plastic Storage Tank** reduces the risk running out of water during peak operating times.
- » **Vibration Dampening Mount Pads** allows pump to run quieter and reduces vibration to other equipment.
- » **1" Keep Full Valve** insures a constant water level.
- » **Free-Standing Stackable Flexible Design** allows you to stack up to 2-pump stations vertically to conserve valuable floor space.

TECHNICAL REQUIREMENTS

Water

- » Volume - 38 GPM
- » Pressure - 1,100 PSI
- » Supply line - 1" @ 40 PSI water supply

Pneumatics

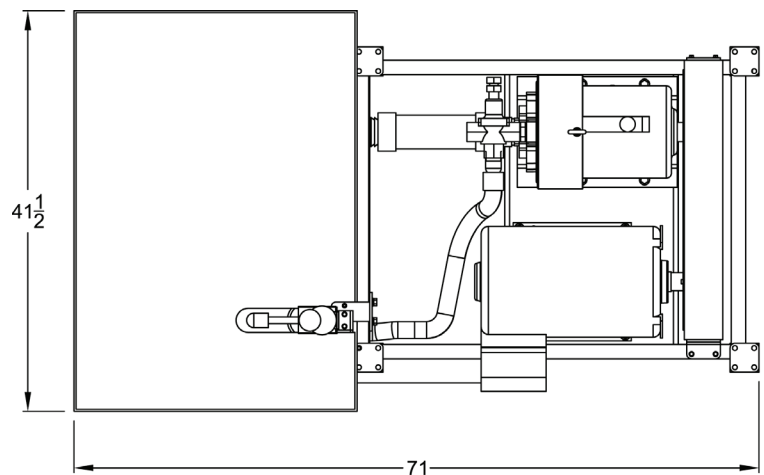
- » Supply line - NA
- » Consumption - NA

Electrical

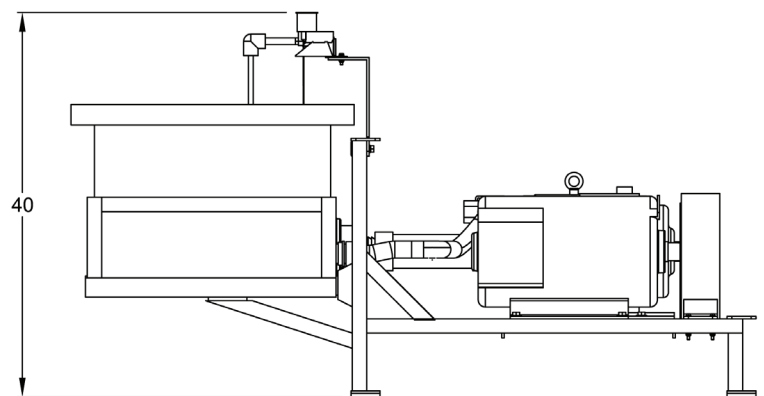
- » 30HP 3-phase 208/230/460 VAC 60Hz
- » 83/80/40 full load amps

Dimensions

- » Length - 71in. (5.92ft.)
- » Width - 41.5in. (3.46ft.)
- » Height - 40in. (3.33ft.)



TOP VIEW



ELEVATION VIEW

Motor City Wash Works, Inc. was established by industry leading professionals. The company designs and manufactures exceptional car wash equipment for the professional car wash industry. Our equipment easily integrates into any car wash package, new & old. Our products are serviced and sold through a global distribution network of over 200 independent car wash equipment distributors.

For more information on other great products from Motor City Wash Works, please contact our international headquarters toll-free at 1.866.362.6377 or visit www.motorcitywashworks.com

© Copyright 2006 Motor City Wash Works, Inc.

Specifications are subject to change. Information is provided for reference only and is not to be used for installation purposes. Please refer to Motor City Wash Works, Inc. equipment manuals and drawings for installation specifications.

Easily Integrates Into Any Car Wash Equipment Package...

Motor City Wash Works, Inc.
48285 Frank Street
Wixom, Michigan 48393
U.S.A.



Phone: 1.866.362.6377
Fax: 1.248.313.0271
www.motorcitywashworks.com
Manufactured in the U.S.A.